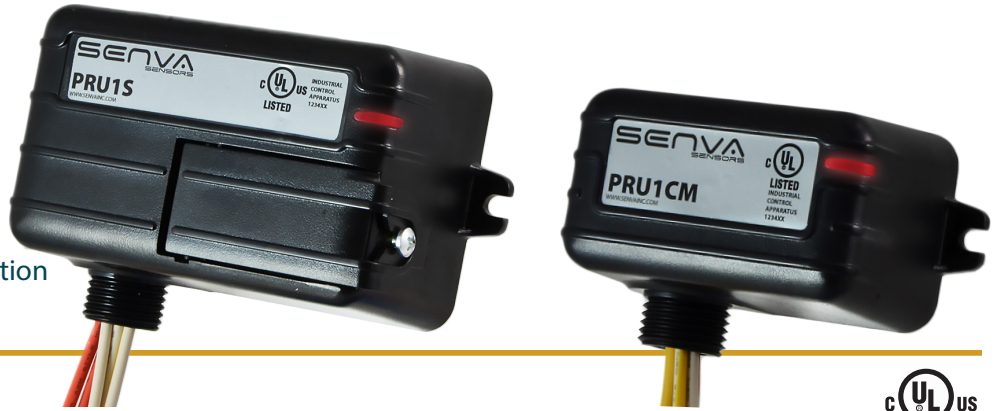


PRU1 Series Pilot Relays

10A range resistive rating
Hand Off Auto switch option
Current run-status confirmation option



DESCRIPTION

The PR Series pilot relays are ideal multi-voltage input pilot duty relays that mount to existing panels to control loads. External enclosures are not required making them ideal for interfacing loads with building automation control systems.

APPLICATIONS

- Command contactors
- Control motors
- Isolation
- Device interlocking
- Relay logic
- Lighting load levels



FEATURES

Convenient and cost-effective control

- Current sensor run status option
- LED indicator
- Multi-voltage coil input
- Hand-Off-Auto switch option

Compact enclosure mounts externally for easy installation

- Nipple mount to any electrical enclosure
- Flexible tinned stranded wire... fits easily in tight spaces and provides secure connections to wire nuts

Concealed HOA switch with screw secured cover prevents tampering

- Versions with Hand Off Auto (HOA) switch feature with secure screw cover door to prevent tampering
- Eliminates costly system override related service calls

Run status confirmation

- True current sensing provides proof of load feedback that pilot device relay coil is powered

Hinged HOA cover with screw retention minimizes tampering



MODEL	CONTACT	COIL INPUT	CONTACT	HOA	CURRENT RUN STATUS	ENCLOSURE	LED
PRU1C	SPDT	10-30VAC/DC, 120VAC	10A			Small	●
PRU1CM	SPDT	10-30VAC/DC, 120VAC	10A		N.O. 1A @ 30VAC/DC, 0.3A TRIP	Small	●
PRU1S	SPST N.O.	10-30VAC/DC, 120VAC	10A	●		Medium	●
PRU1SM	SPST N.O.	10-30VAC/DC, 120VAC	10A	●	N.O. 1A @ 30VAC/DC, 0.3A TRIP	Medium	●

SPECIFICATIONS

General	Environmental Operating	-30 to 60°C (-22 to 140°F), 10-95% RH non-condensing
	Expected Relay Life	100,000 cycles electrical; 10,000,000 mechanical
	LED	ON when energized
	Device Wiring	16" minimum lead length; coil: 18AWG; contacts: 14AWG; HOA monitor wires: 14 AWG; status: 18AWG
	Field Wiring	Coil: 16AWG to 18AWG, Contacts: 14AWG to 16AWG
Dimensions	Certifications	UL1015 , Plenum Rated (UL2043), California State Fire Marshal
	Small Enclosure	1.75"x3.0"x1.75" with 0.5" NPT nipple
	Medium Enclosure	2.5"x4.0"x1.78" with 0.5" NPT nipple

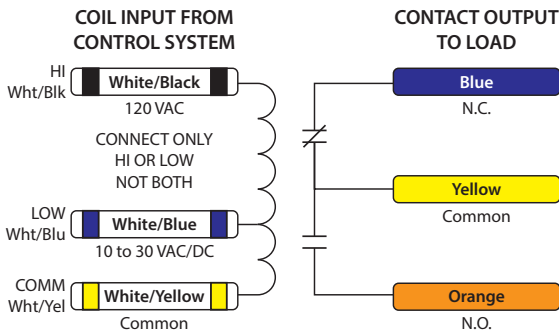
CONTACT RATINGS(PRU1C)
10 Amp Resistive @ 277 VAC
10 Amp Resistive @ 28 VDC
480 VA Pilot Duty @ 240-277 VAC
480 VA Ballast @ 277 VAC
<i>Not rated for electronic ballast</i>
600 Watt Tungsten @ 120 VAC (N.O.)
240 Watt Tungsten @ 120 VAC (N.C.)
1/3 HP @ 120 VAC (N.O.)
1/6 HP @ 120 VAC (N.C.)
1/4 HP @ 277 VAC (N.O.)
1/8 HP @ 277 VAC (N.C.)

CONTACT RATINGS(PRU1S)
10 Amp Resistive @ 277 VAC
10 Amp Resistive @ 14 VDC
480 VA Pilot Duty @ 240-277 VAC
480 VA Ballast @ 277 VAC
<i>Not rated for electronic ballast</i>
600 Watt Tungsten @ 120 VAC (N.O.)
1/3 HP @ 120/240 VAC (N.O.)
1/4 HP @ 277 VAC (N.O.)

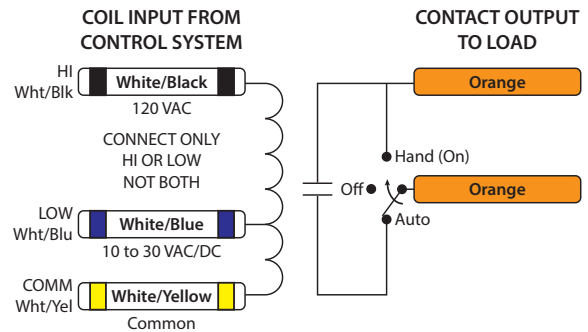
COIL CURRENT/PERFORMANCE		
Voltage	AC	DC
10 V	30mA	16mA
15 V	34mA	20mA
20 V	38mA	21mA
25 V	42mA	22mA
30 V	45mA	23mA
120 V	23mA	
Pull-In Voltage		
	AC	DC
10 to 30V	8V	9V
120V	85V	
Dropout Voltage		
10 to 30V	3V	3V

TYPICAL WIRING

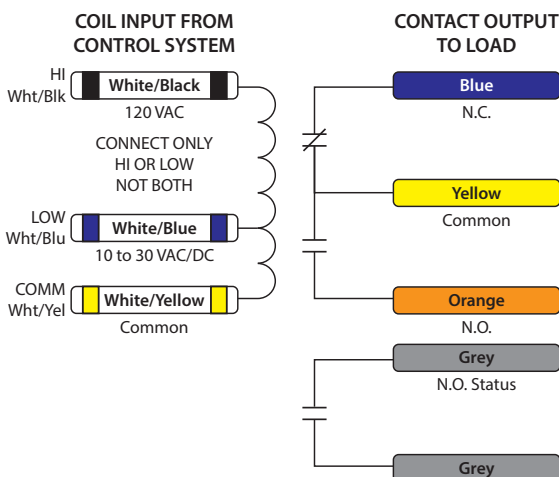
PRU1C



PRU1S



PRU1CM



PRU1SM

