

# P4 Precision Series Pressure Sensor



NIST calibrated high-accuracy Models 0.25% and 0.50%  
 Range and output specific models ranging from 0-0.1 to 0-25"  
 Optional pressure probe adapts for duct or remote mounting  
 Zero push button and contact closure



## DESCRIPTION

The P4 dry media pressure transmitter features fixed ranges optimized for building (zone) pressure, filter measurement, and static duct applications. Innovative static probe integrates with unit or can be mounted remotely for static pressure.

## APPLICATIONS

- Building (zone) pressure
- Filter condition measurement
- Duct/static
- OEM HVAC

## PATENT PENDING

**Industry-leading**  
**7-point NIST**  
 0.25% or 0.50% calibration certificate

Applied Pressure (" $H_2O$ @ 20°C)	Measured Output (V)	Nonlinearity Error (%FS)
-0.5000	0.0055	-0.1702
-0.3334	1.6393	0.1706
-0.1667	3.3137	0.1071
-0.0000	4.9921	0.0011
0.1666	6.6671	-0.0704
0.3333	8.3404	-0.1226
0.4999	9.9876	0.0844

## FEATURES



### NIST Certified 0.25% and 0.50% accuracy

- Certified: high precision, high accuracy
- 7-point NIST certification included
- No small print in spec

### Time and space saving installation for field and OEM applications

- 0-5VDC/10VDC or 4-20 mA loop powered output options
- Address duct, filter, and remote probe mounting with a single unit with RP-6 probe addition
- Non-position sensitive for easy placement
- DIN mount - forward for LCD or side to maximize panel space
- Conduit cover for 3/8" flex connectors
- LED for status indication and location in duct work



Conduit ready.

Versatile probe for duct or remote mount included. Save on probe expense.



Integrated high density mount or flat mount saves valuable panel space.



7 year limited warranty

ORDERING



**Fixed Range\*\***

- 0025 = 0-0.25" w.c.
- 0050 = 0-0.50" w.c.
- 0100 = 0-1.0" w.c.
- 0250 = 0-2.5" w.c.
- 0500 = 0-5" w.c.
- 1000 = 0-10" w.c.
- 2500 = 0-25" w.c.

**Output**

- A = 0-5VDC, 3-Wire
- B = 0-10VDC, 3-Wire
- C = 4-20mA Loop Powered, 2-wire
- D = 4-20mA, 3-wire

**Uni or Bi-directional**

- U = Uni-directional
- B = Bi-directional

**Accuracy**

- 2 = 0.25% of selected range NIST
- 5 = 0.50% of selected range NIST

**Display**

- L = LCD
- X = No Display

**Duct Probe**

- P = Duct Probe
- X = No Probe

Example part number P4-0500-CU2LP is a 4-20mA (2-wire), 0.25% accuracy, uni-directional 0-5" WC sensor with LCD display and Duct Probe.

\*\*Other Fixed Ranges Available Upon Request, Please Consult Factory

**Options**

- RP-6 Remote/duct probe, 6"
- CC-1 Replacement Conduit/Terminal Cover
- RP-6 remote probe with integrated snubber for accurate measurements.
- Accepts both 1/8" and 1/4" tubing.
- CC-1 conduit cover has a 3/4" diameter knockout



Integrated dampener for better readings

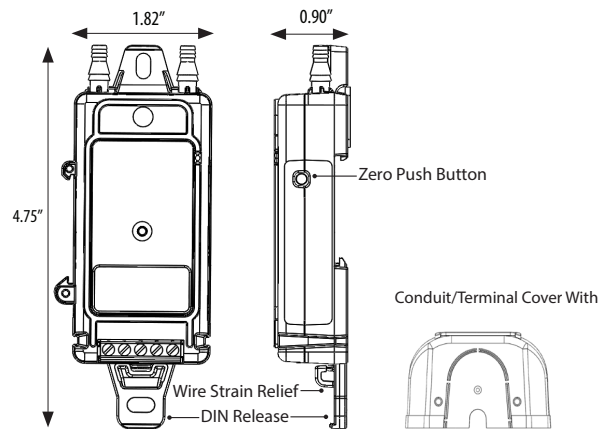
SPECIFICATIONS

Power Supply	12-30VDC/24VAC(1), 30mA max
Output type	Outputs Available 4-20mA loop powered, 4-20 mA 3-wire, 0-5VDC, 0-10VDC
Fixed Ranges	Multiple Fixed Ranges (Inches of w.c. and Pascals) 0.1" w.c. up to 25" w.c. models 1250 Pa up to 6250 Pa models
Operating Temperature	Operating range -4 to 185F (-20 to 85°C) Compensated range 32 to 122F (0 to 50°C)
Media compatibility	Dry, oil-free air, N2
Sensor Type	MEMS silicon piezoresistive; precision calibrated
	Accuracy 0.25% <sup>(2)</sup> ±0.25% of selected range; 7-point NIST calibrated
	Accuracy 0.50% <sup>(2)</sup> ±0.50% of selected range; 7-point NIST calibrated
	Position Sensitivity Non-position sensitive
	Zero Drift (1 year) 1% max
	Thermal Effects 0.02% FSO/°C (0.01%FSO/°F) measured from 22°C (72oF)
	Drift <0.5% FS/year
Agency Compliance	CE, RoHS

- (1) One side of transformer secondary is connected to signal common. Dedicated transformer is recommended.
- (2) Accuracy includes non-linearity, hysteresis, and repeatability at 70°F.

ACCURACY OPTIONS

- ±0.25% Available for 0.5" w.c. to 25" w.c. includes 7-point NIST calibration certificate
- ±0.50% Available for 0.25" w.c. includes 7-point NIST calibration certificate



TYPICAL WIRING

