

ECMSet™ ECM Current Switch

Adjustable minimum turn-on
Prevents false trip due to ECM stand-by current
Split-core operation to 200A
N.O. 30VAC/DC output



Low adjustable turn-on prevents false trips!

Patent Pending



DESCRIPTION

ECMSet™ is designed for no/go run detection on electrically commutated motors (ECMs). ECMs draw a small amount of AC standby current to power their inverter, up to 1A, even when the motor isn't running. The ECMSet features a high resolution adjustable turn-on setpoint to ignore standby current, preventing false ON status indications.

APPLICATIONS

- No/go run detection for EC motors
- On set-point prevents false trips due to EC inverter stand-by current

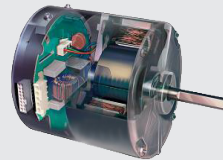
FEATURES

Reliable operation on ECM motors

- Set trip point with easily scaled dial to that sensor only turns on when motor is actually running
- Super low turn-on adjustment scale

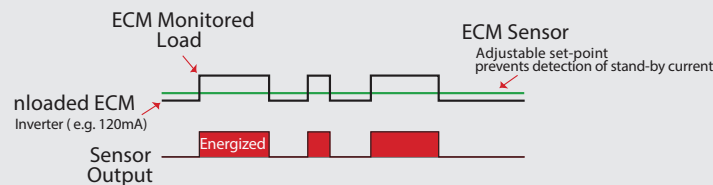
Maintenance-free—no call backs

- Industry leading 7 year warranty



SET-POINT OPERATION

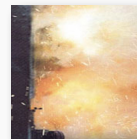
The new ECM sensor Senva has an adjustable "ON" setpoint easily adjusted to ignore any ECM stand-by current, eliminating call backs due to false ON status indications.



The Senva ECMSET output changes state whenever current above the minimum turn-on is present. This provides "go/no" status on ECMs without false trips due to the quiescent inverter current.



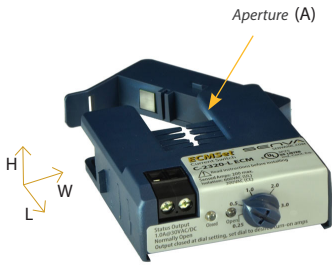
No hazardous guesswork. Multi-turn adjustments are a thing of the past.



Reduce the risk of arc flash; sensor can be set without calibration in live enclosure



**SPLIT CORE
C-2320-L ECM**



L: 2.5" H: 0.57" W: 2.23"
A: 0.75" x 0.75"

- Mount sensor without removing conductor for installation savings
- Clamp on conductor with iris, or use detachable base to screw or DIN mount
- Larger 0.75" aperture accommodates oversized conductors

**OPTIONAL RELAY
for additional labor savings**



L: .84" H: .72" W: 2.06"

- Add to 2320 series to get start/stop/status in a single device
- Reduces the number of installed components... saves time and space
- Removable relay facilitates service

ORDERING INFORMATION

| SPLIT CORE | Min ON Adjustment | Max A | N.O. Output* | Trip LED | Power LED |
|--------------|-------------------|-------|---------------|----------|-----------|
| C-2320-L ECM | 0.25A | 200A | 1.0A@30VAC/DC | • | • |

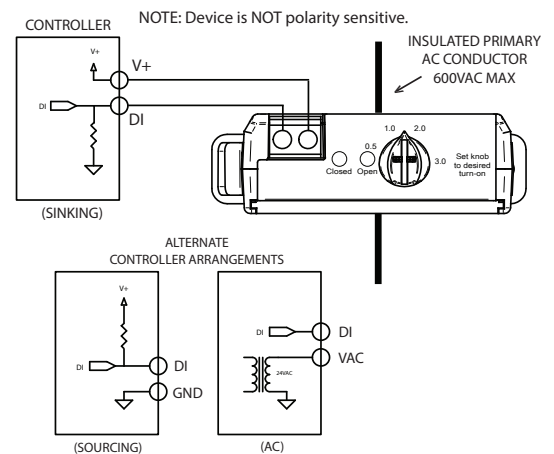
COMMAND RELAY

| | Contact rating | Coil |
|--------|-------------------|--------------------|
| CR3-24 | N.O. 10A @ 125VAC | 24VAC/DC 15mA nom. |
| CR4-24 | N.C. 10A @ 125VAC | 24VAC/DC 15mA nom. |
| CR3-12 | N.O. 10A @ 125VAC | 9-12VDC 30mA nom. |
| CR4-12 | N.C. 10A @ 125VAC | 9-12VDC 30mA nom. |

SPECIFICATIONS

| | |
|------------------------|--|
| Standard Output Rating | 1.0A@30VAC/DC |
| Output Type | NO, solid-state FET |
| Temperature Rating | -15-60 ° C |
| Insulation Class | 600V RMS. For use on insulated conductors only! Use minimum 75 ° C insulated conductor |
| Sensor Power | Induced |
| Frequency Range | 50/60Hz |
| Compliance | cUL, UL, CE, RoHS |

TYPICAL WIRING



Warning: Refer to installation instructions that accompany product and heed all safety instructions. Do not rely on current status LED to indicate presence

