

INSTALLATION INSTRUCTIONS

C-3xxx, RoFlex™ Universal Output Current Transducer



DANGER

Failure to follow these instructions will result in death or serious injury.



Hazard of electrical shock, explosion, and arc flash

- Follow ALL requirements in NFPA 70E for safe work practices and for Personal Protective Equipment (USA) and other applicable local codes when installing this product
- Only qualified electrical personnel should install this product.
- Read, understand, and follow all instructions thoroughly
- Install only on insulated conductors
- Lock out and tag out all power sources prior to installation. Use properly rated voltage sensing instrument to determine no voltage is present



WARNING

Failure to follow these instructions could result in death or serious injury.



Automated equipment may start without warning

- Equipment monitored/operated by this device may start without warning. Keep clear of apparatus at all times

IMPORTANT WARNINGS

- Only qualified trade installers should install this product
- This product is not intended for life-safety applications
- Do not install in hazardous or classified locations
- The installer is responsible for all applicable codes
- This product must be installed in a suitable electrical enclosure

INSTALLATION



Disconnect, lock out and tag out all power supplies during installation

1. Determine mounting location for the sensor near the conductor to be monitored. The sensor should be located AT LEAST 1/2" from any uninsulated conductor.
2. Sensor features a flexible coil which wraps around and allows the sensor to hang on the conductor if local codes permit. The enclosure is provided with 2 slots for securing the sensor using zip ties.
3. Wrap coil around an INSULATED CONDUCTOR ONLY, 600VAC MAX to be monitored.
4. Wire the output of the sensor to a control panel analog input appropriate for the output type selected. See wiring examples. Tighten terminals to 3.5 in-lb.



SETUP

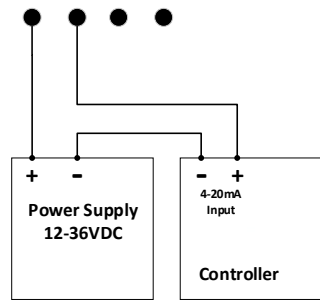
1. The Sensor is factory calibrated to three ranges. No field calibration is required.
2. Move selector switch to the desired factory calibrated range. Selected range should be greater than the maximum expected monitored current.



WIRING EXAMPLES

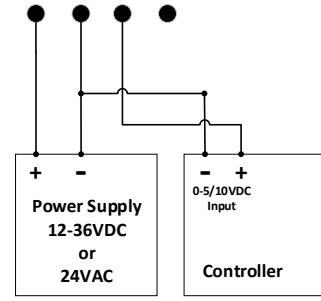
2-Wire 4-20mA

PWR GND Vout Iout



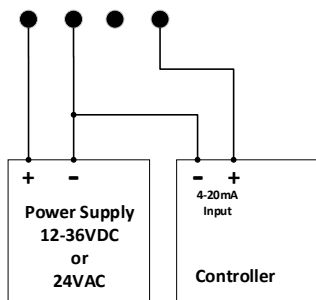
3 - Wire 0-5/10VDC

PWR GND Vout Iout



3 - Wire 4-20mA

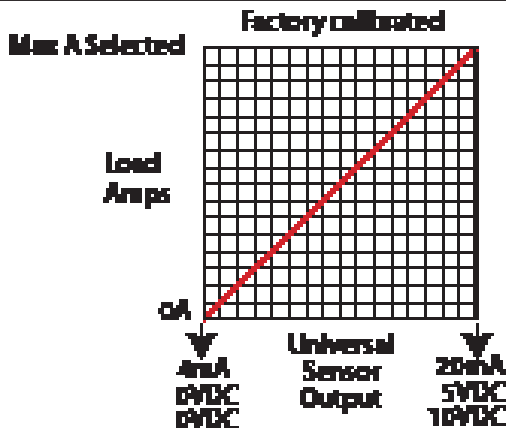
PWR GND Vout Iout



PRODUCT APPLICATION LIMITATION:

Senva products are not designed for life or safety applications. Senva products are not intended for use in critical applications such as nuclear facilities, human implantable device or life support. Senva is not liable, in whole or in part, for any claims or damages arising from such uses.

OPERATION



The *Horirex* provides a universal output signal proportional to monitored current. A switch allows field selection of desired amperage range.

Typical load status applications include:

- Load trending
- Monitoring process motors and pumps
- Heater current monitoring

ORDERING



Rated Amps

3 = Rogowski

Size

- 1 = Small (9")
- 2 = Medium (15")
- 3 = Large (24")
- 4 = Grande (36")

Range

- 0 = 50/100/200/300A (Selectable)
- 1 = 200/400/600A/800A (Selectable)
- 2 = 600/800/1000/1200A (Selectable)
- 3 = 800/1200/1800/2400A (Selectable)
- 4 = 1800/2400/4000/6000A (Selectable)

Output

6 = Universal (Selectable 0-5V/10V, 4-20mA)

Troubleshooting

Symptom	Causes	Remedy
No output signal	No excitation voltage Backward wiring	Check excitation voltage Check polarity
Wrong output current	Incorrect scaling	Verify controller scaling

SPECIFICATIONS

Amperage Range	Varies by model 50 to 6000A
Output Type	Universal (2-wire 4-20mA, 3-wire 0-5V/0-10V/4-20mA)
Accuracy	+/-2% F.S. over 10 to 100% range
Temperature Rating	Maximum surrounding air, 60 ° C
Insulation Class	600V RMS. For use on insulated conductors only. Use minimum 75 ° C insulated conductors Must be installed at least 1/2" away from any uninsulated conductor
Sensor Power	12 to 30VDC/24VAC
Frequency Range	50/60Hz
Dimensions (LxWxH)	3.5" x 1.6" x 0.8"
Terminal Tightening Torque	0.5 N*m
Wire	21 -24 AWG Copper
Compliance	cUL, UL, CE, RoHS

For use in Pollution Degree 2 Environment