

PR24 Series Power Relays 20A

- 20A range resistive rating
- Smallest 20A package on the market
- Hand Off Auto switch option
- Current run-status confirmation option



DESCRIPTION

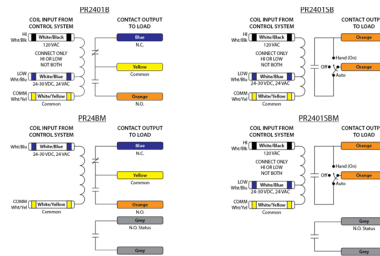
The PR Series power relays are ideal multi-voltage input pilot duty relays that mount to existing panels to control loads. External enclosures are not required making them ideal for interfacing loads with building automation control systems. Featuring the highest output in the smallest package, integrated current sensing, and a secure tamper resistant HOA. Highest 20A capacity in the industries smallest package.

APPLICATIONS

- Command contactors
- Control motors
- Isolation
- Device interlocking
- Relay logic
- Lighting load levels
- Great for data centers using Hand Off Auto (HOA) switch



Hinged HOA cover with tamper resistant screw



Typical wiring



Ideal multi-voltage input pilot duty relays that mount to existing panels

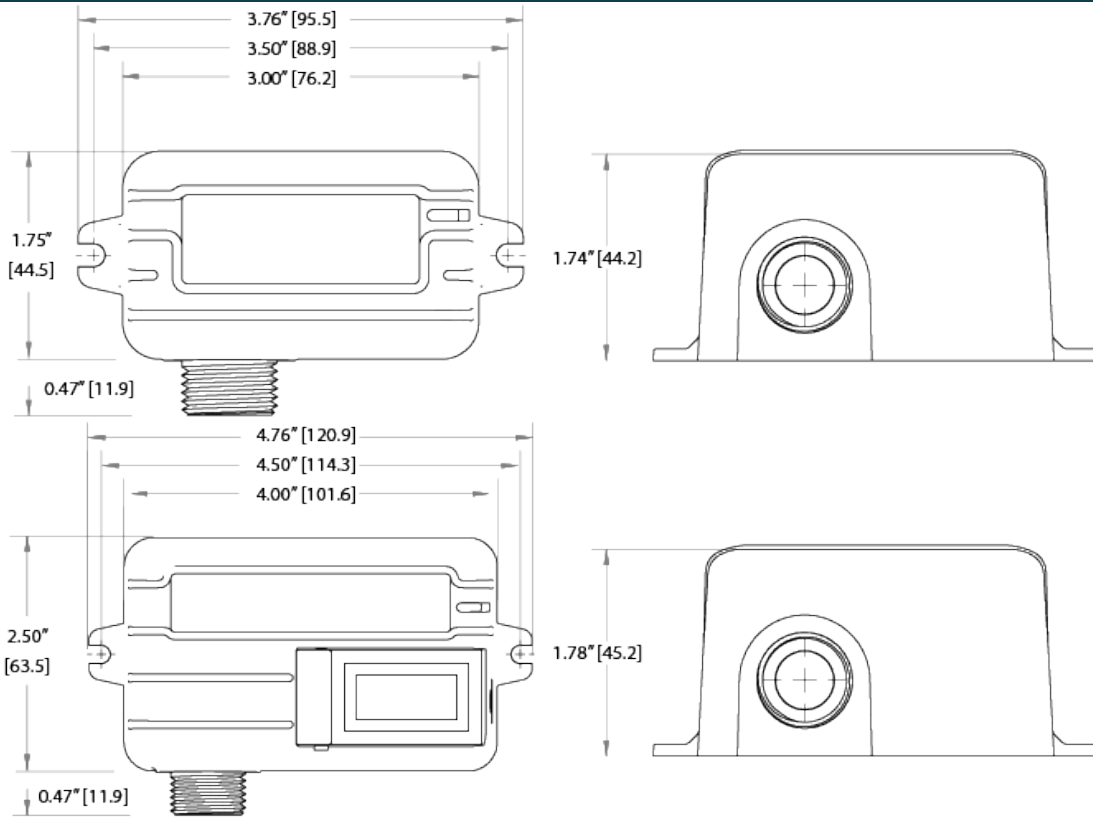
FEATURES

- Current sensor run status option
- LED indicator
- Multi-voltage coil input
- Hand-Off-Auto switch option
- Nipple mount to any electrical enclosure
- Flexible tinned stranded wire... fits easily in tight spaces and provides secure connections to wire nuts
- Versions with Hand Off Auto (HOA) switch feature with secure screw cover door to prevent tampering
- Eliminates costly system override-related service calls

ORDERING

POWER SMALL ENCLOSURE RELAY SINGLE SPDT CONTACT (1 N.C. & 1 N.O.) 20 AMPS	Coil Input w/LED	Hand/Off/Auto Switch	Status (Fixed 0.3 A Trip)	Current Switch
PR2401B	24-30VDC, 24VAC, 120VAC		None	
PR24BM	24-30VDC, 24VAC		N.O. 1.0A@30VAC/DC	•
POWER MEDIUM ENCLOSURE RELAY SINGLE SPST CONTACT (1 N.O.) 20 AMPS	Coil Input w/LED	Hand/Off/Auto Switch	Status (Fixed 0.3 A Trip)	Current Switch
PR2401SB	24-30VDC, 24VAC, 120VAC	•	None	
PR2401SBM	24-30VDC, 24VAC, 120VAC	•	N.O. 1.0A@30VAC/DC	•

DIMENSIONS



Warning: The datasheet is designed for reference only. Refer to installation instructions that accompany the product and heed all safety instructions. Product improvement is a continuing process at Senva. Changes may occur to products without prior notice.

SPECIFICATIONS

General	Environmental Operating	-30 to 60oC (-22 to 140oF), 10-95% RH non-condensing
	Expected Relay Life	100,000 cycles electrical; 10,000,000 mechanical
	LED	ON when energized
	Device Wiring	16" minimum lead length; coil: 18AWG; contacts: 12AWG; HOA monitor wires: 12 AWG; status: 18AWG
	Field Wiring	Coil: 16AWG to 18AWG, Contacts: 12AWG to 14AWG
	Certifications	UL1015
Dimensions	Small Enclosure	1.75"x3.0"x1.75" with 0.5" NPT nipple
	Medium Enclosure	2.5"x4.0"x1.78" with 0.5" NPT nipple

Power_relays_series

CONTACT RATINGS(PR2401B/PR24BM)

20 Amp Resistive @ 277 VAC/30VDC NO/NC

1HP @ 120VAC NO/NC

2HP @ 277VAC NO/NC

20A @ 120/277VAC STANDARD BALLAST NO

10A @ 120/277VAC STANDARD BALLAST NC

Not rated for electronic ballast

10A @ 120VAC TUNGSTEN NO

2A @ 120VAC TUNGSTEN NC

Power_relays_series

CONTACT RATINGS(PR2401SB/PR2401SBM)

20 Amp Resistive @ 277 VAC NO

14 Amp Resistive @ 14 VDC NO

1HP @ 120VAC NO

2HP @ 277VAC NO

20A @ 120/277VAC STANDARD BALLAST NO

Not rated for electronic ballast

10A @ 120VAC TUNGSTEN NO

Power_relays_series

COIL CURRENT/Performance

Voltage	AC	DC
24 V	59mA	32mA
26 V		35mA
28 V		37mA
30 V		40mA
120 V	43mA	

Pull-In Voltage

	AC	DC
24 to 30V	20V	20V
120V	85V	

Dropout Voltage

	Environmental	Nema 1
10 to 30V	6V	6V
Enclosure	Environmental	Nema 1

* Product improvement is a continual process at Senva and product features and specification may change without prior notice. Refer to instructions that accompany

the product for installation and wiring.