

P4 Value Series

P4 Value Dry Pressure

Range: 0.1 to 25" W.C.
 0-5VDC/10VDC or 4-20 mA loop & 3-wire powered versions
 LCD option & LED status indication
 Remote & manual zero function
PATENTED DESIGN

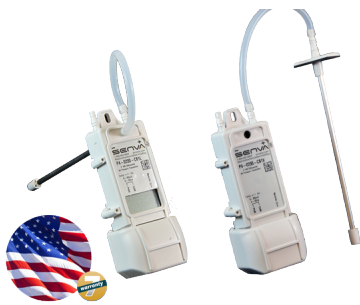


DESCRIPTION

The P4 dry media pressure transmitter features fixed ranges optimized for building (zone) pressure, filter measurement, and static duct applications. Innovative static probe integrates with unit or can be mounted remotely for static pressure. **PATENTED DESIGN**

APPLICATIONS

- Building (zone) pressure
- Filter condition measurement
- Duct/static
- OEM HVAC



Probe transforms for duct or remote applications. Made in USA. 7yr warranty!



High density DIN mounting saves valuable panel space



Conduit ready

FEATURES

- Duct, filter, and room pressure with a single unit with RP-6 probe addition
- LCD option for set-up and reference
- Non-position sensitive for easy placement accuracy
- 0-5VDC/10VDC or 4-20 mA loop or 3-wire powered versions
- DIN mount flat or side to conserve panel space
- Conduit cover for 3/8" flex connectors...no extra parts required
- LED: Power heartbeat, auto-zero complete, 110% over pressure; facilitates locating sensor in ductwork

ORDERING



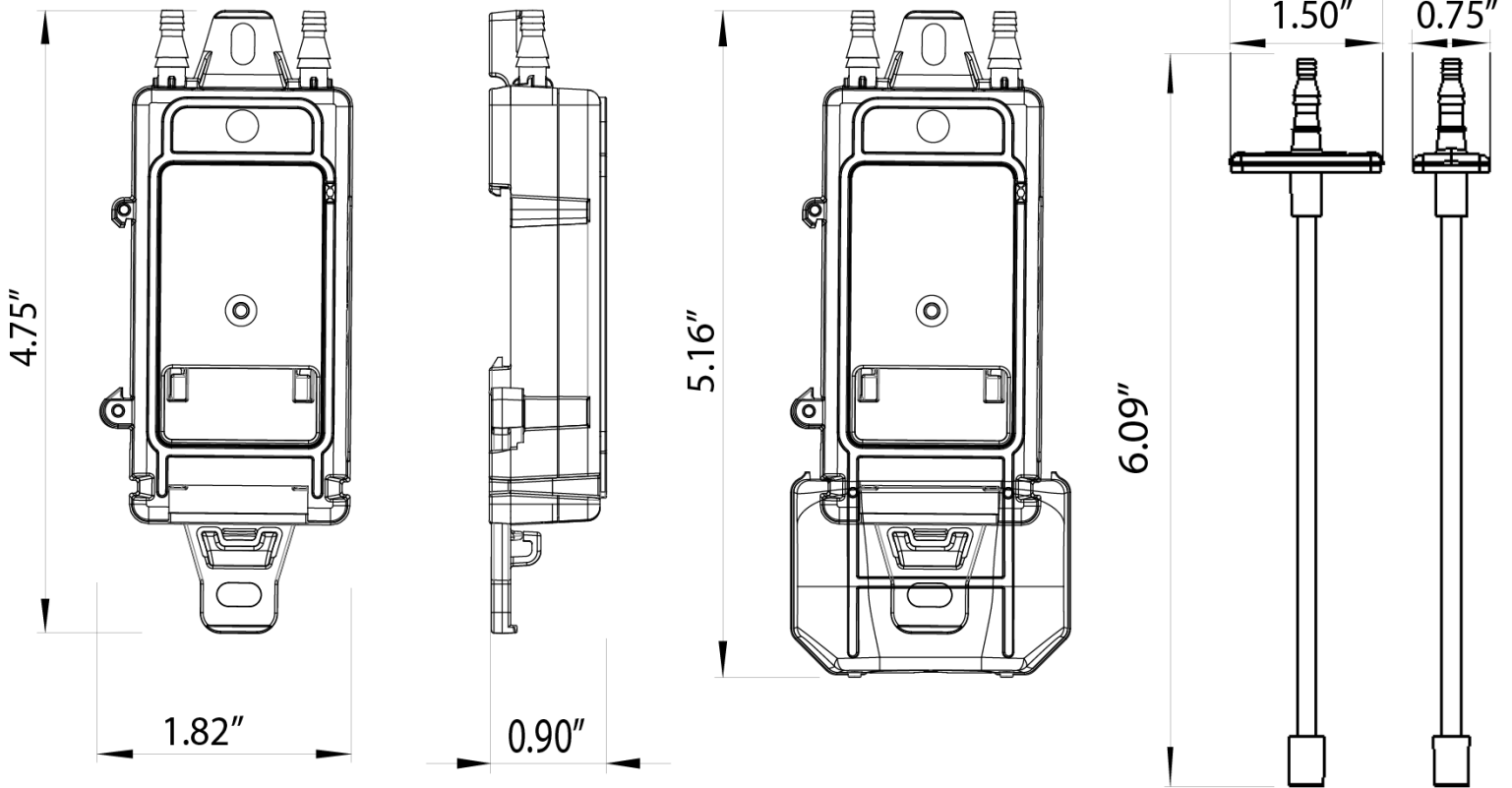
<p>P4 - <input type="checkbox"/> - <input type="checkbox"/></p> <p>Fixed Range*</p> <p>0005 = 0-0.05 "w.c. 0025Pa = 0-25 Pa 0010 = 0-0.10 "w.c. 0050Pa = 0-50 Pa 0025 = 0-0.25 "w.c. 0100Pa = 0-100 Pa 0050 = 0-0.50 "w.c. 0300Pa = 0-300 Pa 0100 = 0-1.0 "w.c. 0500Pa = 0-500 Pa 0150 = 0-1.5 "w.c. 1000Pa = 0-1000 Pa 0250 = 0-2.5 "w.c. 1600Pa = 0-1600 Pa 0300 = 0-3.0 "w.c. 2500Pa = 0-2500 Pa 0500 = 0-5.0 "w.c. 3000Pa = 0-3000 Pa 0750 = 0-7.5 "w.c. 5000Pa = 0-5000 Pa 1000 = 0-10 "w.c. 1500 = 0-15 "w.c. 2500 = 0-25 "w.c. 5000 = 0-50 "w.c.</p>	<p><input type="checkbox"/></p> <p>Output</p> <p>A = 0-5VDC, 3-Wire B = 0-10VDC, 3-Wire C = 4-20mA, 2-wire D = 4-20mA, 3-wire</p>	<p><input type="checkbox"/></p> <p>Uni or Bi</p> <p>U = Uni-directional B = Bi-directional</p>	<p><input type="checkbox"/></p> <p>Accuracy**</p> <p>1 = 1.00% of range 2 = 0.25% of range NIST 5 = 0.50% of range NIST N = 1.00% of range NIST</p>	<p><input type="checkbox"/></p> <p>Display</p> <p>L = LCD X = No Display</p>	<p><input type="checkbox"/></p> <p>Duct Probe</p> <p>P = Duct Probe X = No Probe</p>
--	---	--	---	--	--

Example part number P4-0500-CU2LP is 4-20mA (2-wire), 0.25% accuracy, uni-directional 0-5" WC sensor with LCD display and Duct Probe.

**Other Fixed Ranges Available Upon Request (mmw.c, etc), Please Consult Factory*

***0.25% accuracies available on 0.5" w.c. and greater, 0.5% accuracy available on 0.1" w.c. and greater (or equivalent Pa ranges)*

DIMENSIONS



Warning: The datasheet is designed for reference only. Refer to installation instructions that accompany the product and heed all safety instructions. Product improvement is a continuing process at Senva. Changes may occur to products without prior notice.

SPECIFICATIONS			
Power Supply		12-30VDC/24VAC(1), 30mA max	
Output type	Outputs Available	4-20mA loop powered, 4-20 mA 3-wire, 0-5VDC, 0-10VDC	
Fixed Ranges	Multiple Fixed Ranges (Inches of w.c. and Pascals)	0.05" w.c. up to 50" w.c. models 25 Pa up to 5000 Pa models	
Operating Temperature	Operating range	-4 to 140F (-20 to 60°C)	
	Compensated range	-4 to 140F (-20 to 60°C)	
Media compatibility		Dry, oil-free air, N2	
Sensor Type		MEMS silicon piezoresistive; precision calibrated	
Sensor Performance	Accuracy 1.00%	±1.00% of range	
	Accuracy 0.25%(2)	±0.25% of range; 7-point NIST calibrated	
	Accuracy 0.50%(2)	±0.50% of range; 7-point NIST calibrated	
	Zero Tolerance	Included in accuracy specification	
	Span Tolerance (3)	±1.00%	
	Zero Drift (1 year)	0.004"WC/year max. 0.4% for units >0.5" w.c.	
	Auto-zero input	Push-button and contact closure	
	Thermal Shift (Zero and Span)	0.02% FSO/°C (0.01%FSO/°F) measured from 22°C (72°F)	
	Overpressure		up to 5" models: 41.5" w.c.; 10" models: 133" w.c.; 25" models: 332" w.c.
		Max Static Line Pressure	up to 5" models: 41.5" w.c.; 10" models: 133" w.c.; 25" models: 332" w.c.
	Burst Pressure	up to 5" models: 83" w.c.; 10" models: 166" w.c.; 25" models: 415" w.c.	
	Position Sensitivity	Non-position sensitive	
Agency	Compliance	CE, RoHS	
Enclosure	Flammability	UL94 5VB	
	Environmental	NEMA 1	

(1) One side of transformer secondary is connected to signal common. Dedicated transformer is recommended.

(2) Accuracy includes non-linearity, hysteresis, and repeatability at 70°F.

(3) Span tolerance is ±1% ±0.005inWC for models less than 0.10inWC or equivalent pressure range.

* Product improvement is a continual process at Senva and product features and specification may change without prior notice. Refer to instructions that accompany the product for installation and wiring.