

## Metering Series

# Split-Core Current Transducers

1% total system accuracy (meter & CT)  
 For use with Senva's EMX and Branch Multi-Circuit Meter  
 Flexible Split-core Sensors for easy installation or retrofits  
 Monitor loads from 15-2000A



### DESCRIPTION

The Senva Metering Series CT's provide a high accuracy linear 0V to 0.333VAC signal output proportional to the measured current. These can be safely and simply installed to be used with most power meters, data loggers, and other instruments. Our Split-core Metering CT's come in a range of inner diameter sizes and amperages to accommodate a wide variety of installations and retrofits.

### APPLICATIONS

- Energy management and performance contracting
- Monitoring for commercial tenants
- Activity-based costing in commercial and industrial facilities
- Real-time power monitoring
- Load shedding
- Audits/temporary monitoring
- Distributed generation
- Great for data center energy power sensing



*Each outputs 333mV or 0.333V at rated current*



*Sense loads 15-2000A*



*CT's come in a range of inner diameter sizes and amperages*

### FEATURES

- Choose from 5 aperture sizes
- Linear output 333mV or 0.333V at rated current
- Sense loads 15-2000A
- Use with any standard meter or data-logger
- High accuracy
- UL Listed Energy Monitoring Equipment, UL recognized Instrument Transformer, CE and RoHS compliant

ORDERING

XH-SCT-

**Size**

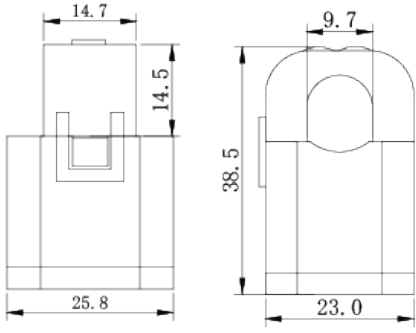
- T10 = Round 10mm I.D.
- T16 = Round 16mm I.D.
- 1250 = Square 31.8mm I.D.
- 2000 = Square 50.8mm I.D.
- 3000 = Rect. 76.2x127mm I.D.

**Amp Rating**

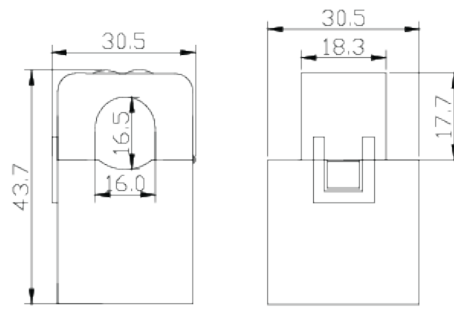
Varies based on size.  
See 'Current Range' in  
Specification section for options

T10	15A, 30A, 50A
T16	100A
1250	100A, 150A, 200A, 300A
2000	400A, 600A, 800A
3000	1000A, 1200A, 1500A, 2000A

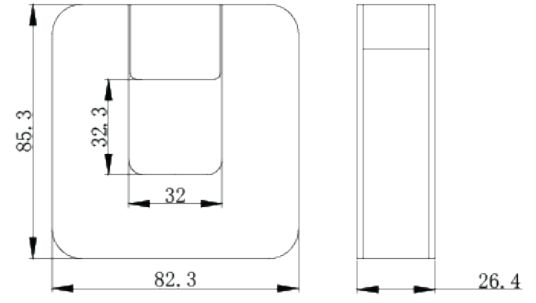
DIMENSIONS



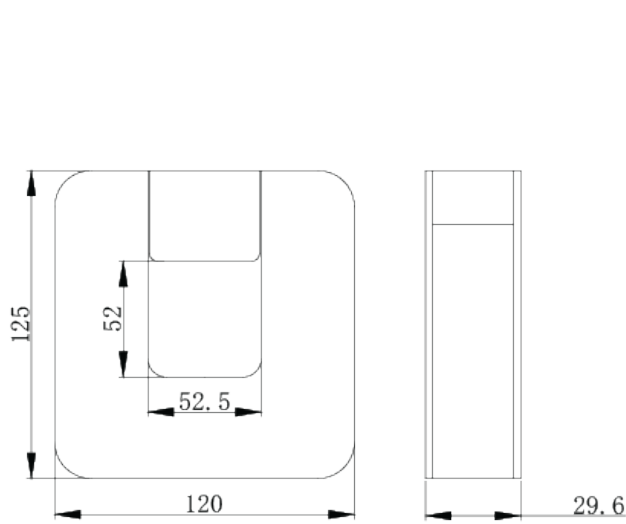
XH-SCT-T10



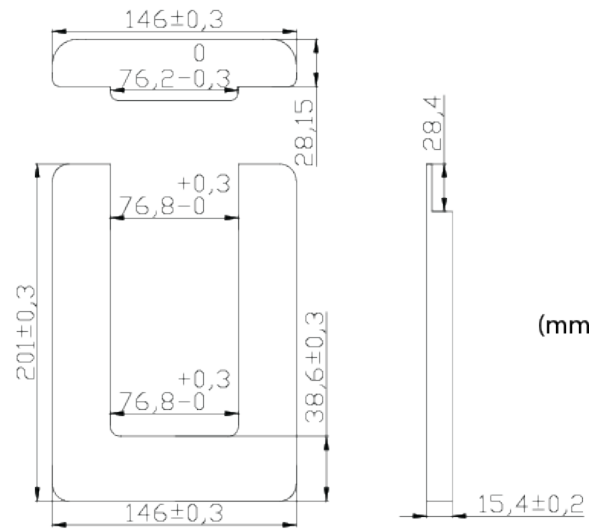
XH-SCT-T16



XH-SCT-1250



XH-SCT-2000



XH-SCT-3000

(mm) not to scale

**Warning:** The datasheet is designed for reference only. Refer to installation instructions that accompany the product and heed all safety instructions. Product improvement is a continuing process at Senva. Changes may occur to products without prior notice.

SPECIFICATIONS		
Performance	Accuracy	±1% From 5-120% rated current
Rated Output	Scale	0.333VAC
Current Range	T10	15A, 30A, 50A
	T16	100A
	1250	100A, 150A, 200A, 300A
	2000	400A, 600A, 800A
	3000	1000A, 1200A, 1500A, 2000A
Inner Diameter	T10	10mm, 0.39in, round
	T16	16mm, 0.63in, round
	1250	19.1mm, 0.75in, square
	2000	31.8mm, 1.25in, square
	3000	76.2mmx127mm, 3x5in, rectangular
Phase Angle	Rated	Less than 2 degrees at 50% rated current
Voltage	Insulation Voltage	600VAC
	Primary Voltage	5000VAC (insulated conductor)
Environmental	Operating Temp	-15 to 60oC
Frequency	Freq Range	50-400Hz
Leads	Length	105cm, 4 ft.
	Wire	UL 1015 twisted pair, 22AWG
Agency	Compliance	UL/cUL Recognized, CE Compliant, RoHS Compliant

\* Product improvement is a continual process at Senva and product features and specification may change without prior notice. Refer to instructions that accompany the product for installation and wiring.